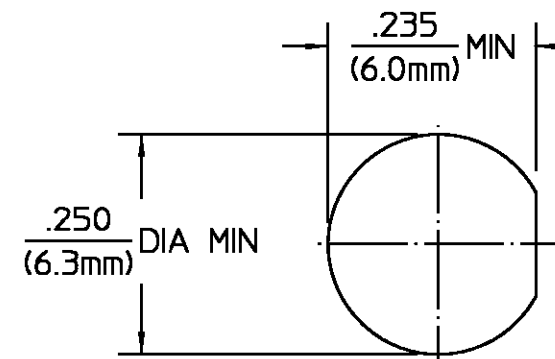


REVISIONS			
REV	DESCRIPTION	DATE	APPROVED
010	RELEASED	3/9/95	<i>D. Comello</i>



RECOMMENDED MOUNTING HOLE

DESIGN CONTROL REQUIRED

ELECTRICAL	MECHANICAL	ENVIRONMENTAL	HOUSING	MATERIAL	FINISH
Nominal Impedance (Ohms) <u>50</u>	Interface Dimensions MIL-STD-348A, Fig. 310.2 BOTH ENDS	Temperature Rating <u>-65°C to +125°C</u>	STAINLESS STEEL PER ASTM-A484 AND ASTM-A582, TYPE 303	PASSIVATE PER QQ-P-35	
Frequency Range (GHz) DC to <u>18</u>	Recommended Mating Torque <u>N/A</u>	Vibration MIL-STD-202, Method 204, Condition D.	TFE FLUOROCARBON PER ASTM-D-1457	N/A	
Volt Rating (VRMS MAX) @ Sea Level <u>335</u>	Mating Characteristics: Insertion (MAX Lbs) <u>3.0</u>	Shock MIL-STD-202, Method 213, Condition I.	BERYLLIUM COPPER PER ASTM B 196, ALLOY C17300, CONDITION H	GOLD PLATE PER MIL-G-45204	
VSWR <u>1.05 ±.005</u>	Withdrawal (MIN Oz) <u>1.0</u>	Thermal Shock MIL-STD-202, Method 107, Condition C, except high temp shall be +115°C.			
Insertion Loss (dB MAX) <u>.03 √f(GHz)</u>	Force to Engage and Disengage (In-Lbs MAX) <u>2.0</u>	Moisture Resistance MIL-STD-202, Method 106			
RF Leakage (dB MIN) <u>60 @ 2 to 3 GHz</u>	Center Contact Captivation: Axial (Lbs) <u>6.0</u>	Corrosion - MIL-STD-202, Method 101, Condition B, 5% salt spray			
Corona, 70,000 Ft (VRMS MIN) <u>250</u>	Radial (In-Oz) <u>4.0</u>				
Dielectric Withstanding Voltage (VRMS MIN) @ Sea Level <u>1,500</u>	Cable Retention: Axial Force (Lbs) <u>N/A</u>				
Contact Resistance (Milliohms MAX): Center Contact <u>4.0</u>	Torque (In-Oz) <u>N/A</u>				
Outer Contact <u>2.0</u>	Weight (Grams) <u>3.8</u>				
Cable to Housing <u>N/A</u>					
RF High Potential @ Sea Level (VRMS MIN @ 5 MHz) <u>670</u>					
LR.(Megohms MIN) <u>5,000</u>					
			UNLESS OTHERWISE SPECIFIED DIMENSIONS ARE IN INCHES TOLERANCE ON	DRAWN BY <i>D. Comello</i> DATE 3/9/95	
			FRAC. DEC. ANGLES ± 1/64 ±.005 ± 1°	CHECKED BY <i>D. Comello</i> DATE 3/9/95	
			These drawings and specifications are the property of M/A-COM Incorporated and shall not be reproduced or copied or used in whole or in part as the basis for the manufacture or sale of item(s) without written permission.	AMP Incorporated 140 Fourth Avenue Waltham, MA 02451-7599	
			USE ASS'Y PROCEDURE	TITLE OSM BULKHEAD FEEDTHROUGH JACK TO JACK ADAPTER	
			NO. AP. <u>N/A</u>	SIZE B	CODE IDENT NO. 1250-1666-02
				SCALE 5:1	REV 010
				SHEET 1 OF 1	

CUSTOMER DRAWING

AMP PART # 1046273-1  
SHEET 1 OF 1 REV A